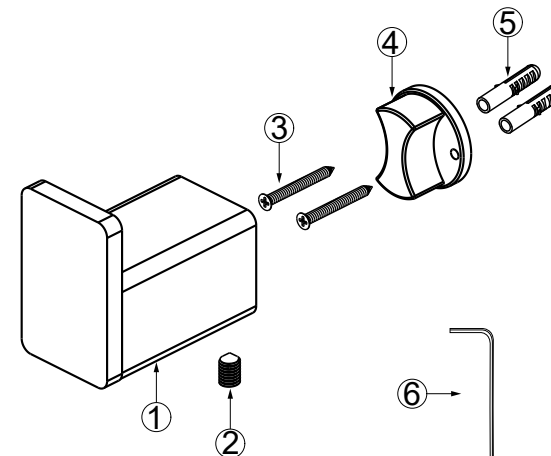


VIVA ROBE HOOK - AS202

Please check over carefully the surface and accessories to avoid any damage and missing.

No.	Description	Qty.
1.	Robe Hook	x1
2.	Grub Screw	x1
3.	Screw	x2
4.	Mounting Plate	x1
5.	Plastic Wall Plug	x2
6.	Alley Key	x1



Installation

a

Using a pencil and the mounting plate as a guide, mark the two desired hole locations. Ensure the markings are spaced 16.6mm apart and horizontal.

b

Use a masonry drill bit to drill two holes. Press plugs into holes until they are flush with the mounting surface.

c

Place Mounting Plate in position, ensuring the curved surface is facing up. Insert screws and tighten firmly.

d

Place the Robe Hook over mounting plate and tighten grub screw firmly.

Maintainance & Care

All surfaces should be cleaned with water or mild liquid detergent. Do not use cream cleaner or citrus based or chemical cleaning products.

Warranty

5 years – main body and finish