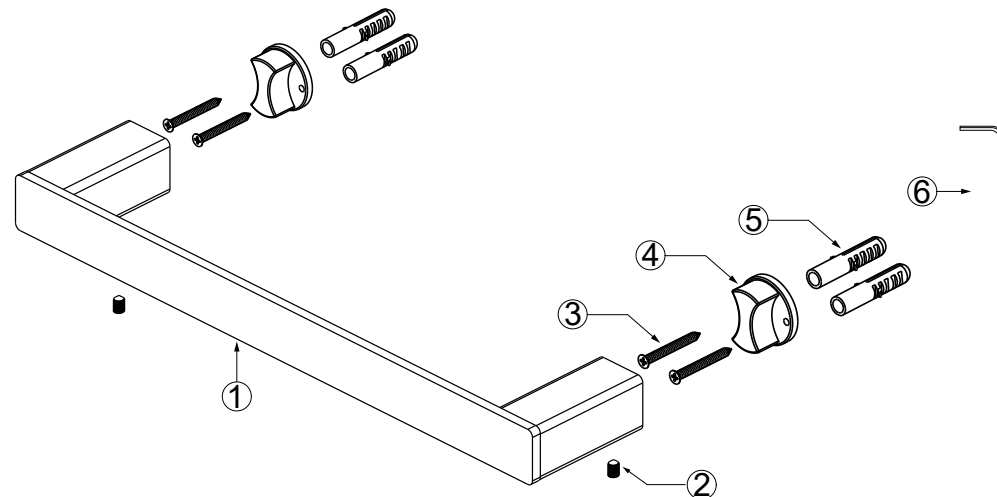


VIVA TOWEL RAILS - AS203/AS204

Please check over carefully the surface and accessories to avoid any damage and missing.

No.	Description	Qty.
1.	Accessory	x1
2.	Grub Screw	x2
3.	Screw	x4
4.	Mounting Plate	x2
5.	Plastic Wall Plug	x4
6.	Alley Key	x1



Installation

a

Using pencil, level and the mounting plate as a guide, mark the desired hole locations. Measure the pitch distance on the actual product to ensure markings are the correct distance apart and horizontal.

b

Use a masonry drill bit to drill two holes. Press plugs into holes until they are flush with the mounting surface.

c

Place Mounting Plate in position, ensuring the curved surface is facing up. Insert screws and tighten firmly.

d

Place the accessory over mounting plate(s) and tighten grub screw(s) firmly.

Maintainance & Care

All surfaces should be cleaned with water or mild liquid detergent. Do not use cream cleaner or citrus based or chemical cleaning products.

Warranty

5 years – main body and finish